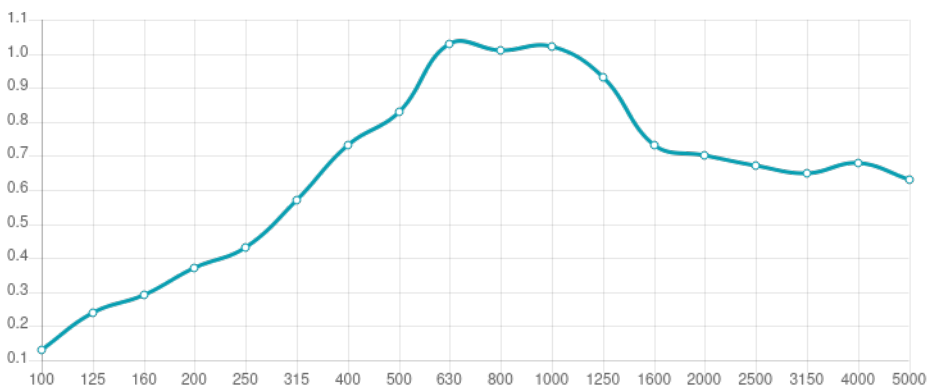
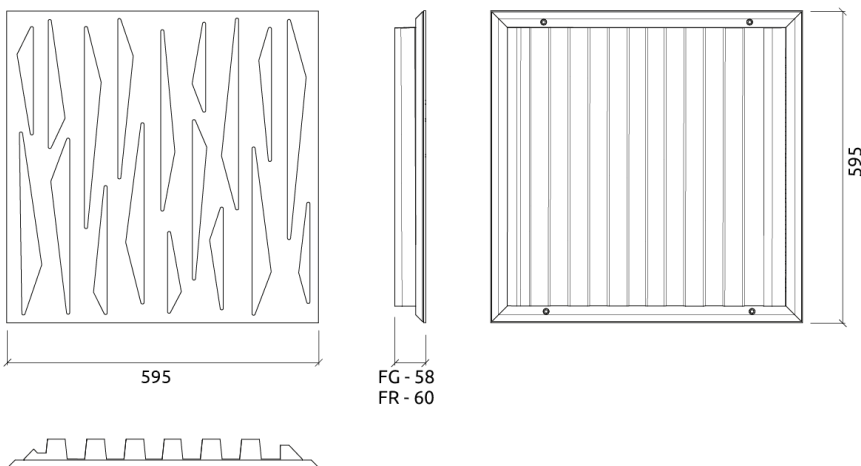




Performance



Technical Information



Features

Type:
Acoustic Absorber
Absorption range: 250 Hz to 4000 Hz

Acoustic Class: C | (α_w) = 0,75

Available fire rates:
FG | Furniture Grade

Materials:
- Natural wood | Lacquered HMDF
- Marine grade plywood structural frame
- Calibrated cell acoustic foam

Dimensions:
Vector - Absorber
- 595x595x58mm
- Equipped with four M6 Screw Thread receiver

Vector Doble - Absorber
- 595x1190x58mm
- Equipped with six M6 Screw Thread receiver

Dimensions:

595x595x58mm | 1.84 Kg

Vector is one of the two first brand new design collaborations between Jan Morel and Artnovion. Made for modern and bold studio designs, Vector is a combination of Jan Morel unique design and Artnovion's quality manufacturing and highly-performance techniques.

For Vector we brought together the best of two worlds. Vector is the first ever addition to our range that combines a wooden front with a fabric backing.

Vector W - Absorber

Wooden Absorber



Purpose

- Sweet spot sound field distribution
- RT reduction

Recommended for

- Control Room
- Recording Room
- Home Studio
- Broadcast Studio
- Vocal Booth
- Drum Booth

Fixing Systems

Wall & Ceiling



+ FixArt Clip



+ GlueArt



+ FixArt - Tube

Ceiling



+ FixArt Cloud

Add-ons



+ FixArt Tube Lock



+ FixArt Connect



+ M6 Screw Thread receiver - Add-on